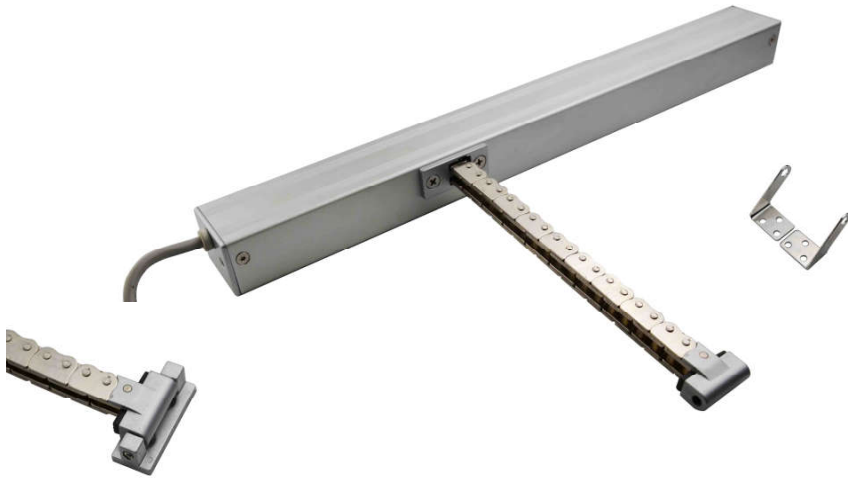


CH Series

Small Chain Actuator

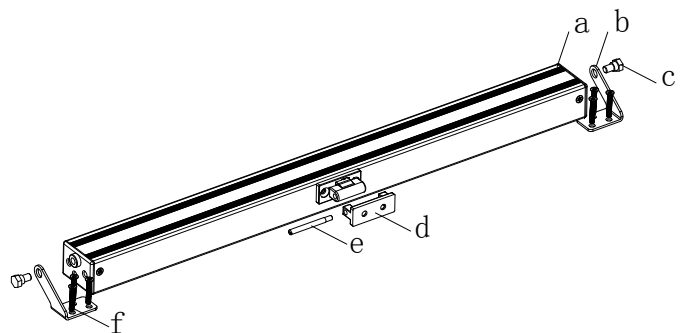
Force 250N Max Stroke : 250mm



Features

- Can be used for openings for smoke exhaust and daily natural ventilation
- Suitable for top/bottom/side hung window/skylight with outward/inward opening
- In accordance with EN12101-2 standard
- Chain material options: carbon steel / stainless steel
- Electronic overload cutoff
- Relief of pressure on the window gasket after closing process
- Lifetime: more than 30,000 times of opening and closing
- Standard housing finish is anodized silver, other colors are available by painting
- Built-in radio receiver can be added for wireless remote control
- Multi actuators synchronization is available with an extra external synchronizer

- a. Actuator housing
- b. Bracket
- c. Hex head screw
- d. Sash connector
- e. Latch
- f. Self-tapping screw



CH Series

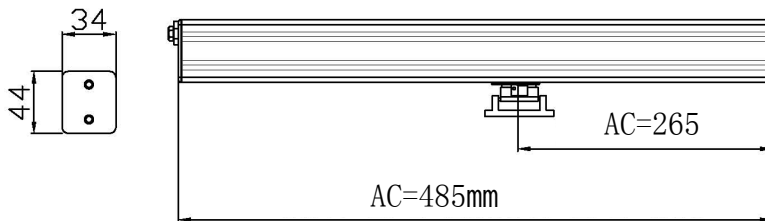
Small Chain Actuator

Force 250N Max Stroke : 250mm

Parameters

	230V
Voltage	AC230V±10%
Cutoff Current	0.15A
Force	250N
Speed	10mm/s
Stroke	250mm
Temperature	-20~75°C
Protection Class	IP32
Electric Connection	3 wires + earth
Limit Stop	Electronic

Dimensions in mm



Wiring Diagram

	Open	Close
Brown	LA	
Black		LB
Blue	N	N
green-yellow	⊕	

AC230V
Wiring

Optional Accessories



Connector for inward opening window

Dual PDL Switch Wiring 230V

