



Carbon Dioxide Monitor and Alarm

Model: **G01-CO2-B3** Series

CO₂+Temperature and Humidity Detection and Monitoring

- ◆ Real time carbon dioxide detection and monitoring
- ◆ Temperature and humidity detection and display
- ◆ Three-color backlit LCD and buzzer alarm
- ◆ Provide 1x on/off output to control a ventilator
- ◆ Wall mounting and desktop placed
- ◆ High quality with the perfect appearance, CE-approval

■ Features

- ◆ Design for real time monitoring room carbon dioxide level
- ◆ NDIR infrared CO₂ sensor inside with special Self Calibration System. It makes the CO₂ measurement more accurate and more reliable in use.
- ◆ More than 10 years lifetime of CO₂ sensor
- ◆ Temperature and humidity monitoring
- ◆ Three-color (green/yellow/red) LCD backlit indicating ventilation optimal/moderate/poor based on the CO₂ measurement
- ◆ Two alarm ways: buzzer alarm and backlight Colours switch
- ◆ Provide optional 1x relay output to control a ventilator
- ◆ Easy touch button for operation
- ◆ High quality with the perfect appearance, best choice for home and office
- ◆ 220VAC or 24VAC/VDC power selectable; power adaptor available; desktop and wall mounting type available
- ◆ EU standard and CE-approval

■ Application

New G01-CO₂ monitor/alarm is used to monitoring room CO₂ level, as well as room temperature and humidity. It provides one on/off output to control a ventilator with four CO₂ levels presetting. Especially it provides both buzzer alarm and three colors backlit switching alarm.

- ◆ Hotel, exhibition hall, hospital, shop, restaurant, air port, train station, theater and other public places
- ◆ House, villa, office, meeting room, classroom and other rooms
- ◆ All ventilation systems

■ Specifications

Gas detected	Carbon Dioxide (CO ₂)
Sensing element	Non-Dispersive Infrared Detector (NDIR)
Accuracy@25°C (77°F)	±60ppm + 3% of reading
Stability	<2% of FS over life of sensor (15 yr typical)
Calibration interval	ABC Logic Self Calibration Algorithm
NDIR life	15 years
Response Time	<2 minutes for 90% step change
Signal update	Every 2 seconds
Warm up time	<3 minutes (operation)
CO ₂ measuring range	0~5,000ppm
CO ₂ Display resolution	1ppm
Power supply	100~240VAC or 10~24VAC/VDC selectable in the order
Consumption	3.5 W max. ; 2.5 W avg.
Temperature sensor	NTC 5K
Humidity sensor	HS series capacitive sensor
Temperature measuring range	-20~60°C (-4~140°F)
Humidity measuring range	0~99%RH
Relay output (optional)	One relay output with rated switching current: 3A, resistance load
Operation conditions	0~50°C (32~122°F); 0~95%RH, non condensing
Storage conditions	-10~60°C (14~140°F) 5~95%RH non condensing
Weight	200g
Dimensions	130mm(H)×85mm(W)×36.5mm(D)
Installation	Desktop and wall mounting(65mm×65mm or 2"×4" wire box)
Housing and IP class	PC/ABS fireproof plastic material, protection class: IP30
Standard	CE-Approval

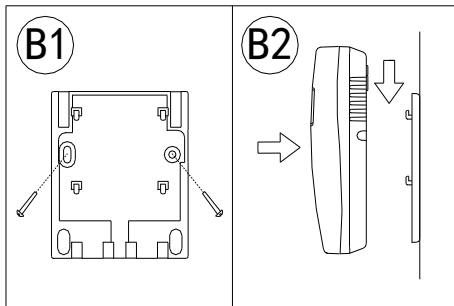
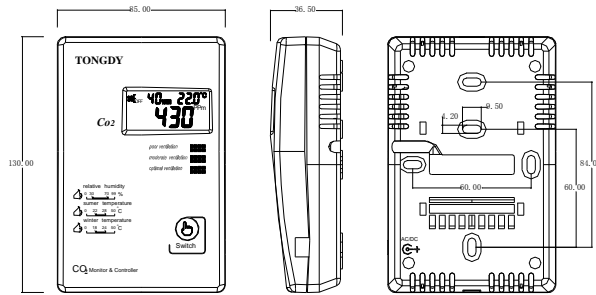
■ Housing and LCD



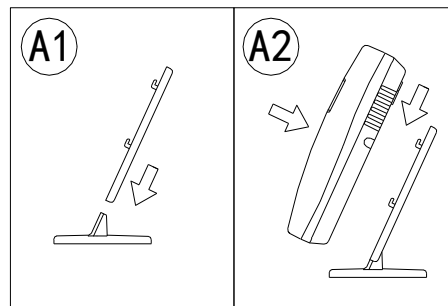
Models Guide

Model	Name	Description	Power Supply	Type
G01-CO2-B320D	CO2, temperature and humidity monitor/alarm	Three-color backlit LCD, buzzer alarm	100~240VAC	Wall mounting
G01-CO2-B331C	CO2, temperature and humidity monitor/alarm	Three-color backlit LCD, buzzer alarm	18~24VAC/VDC with a DC socket.	Wall mounting
G01-CO2-B340C	CO2, temperature and humidity monitor/controller	Three-color backlit LCD, buzzer alarm; 1 on/off output; touch-key for operation	18~24VAC/VDC	Wall mounting
G01-CO2-B340D	CO2, temperature and humidity monitor/controller	Three-color backlit LCD, buzzer alarm; 1 on/off output; touch-key for operation	100~240VAC	Wall mounting
Optional Accessories				
870	Power adaptor	Input:100~240VAC, Output: DC 24V/ 240mA	Just for G01-CO2-B331C or G01-CO2-B331C-NR	
921	Wall mounting plate	Accessory for wall mounting		
921+922	Desktop bracket	As be the desktop type	Just for G01-CO2-B331C or G01-CO2-B331C-NR	

Mounting and Dimensions



Wall mounting-base bracket (921)



Desktop- bracket (921+922)

■ Wiring Diagram

